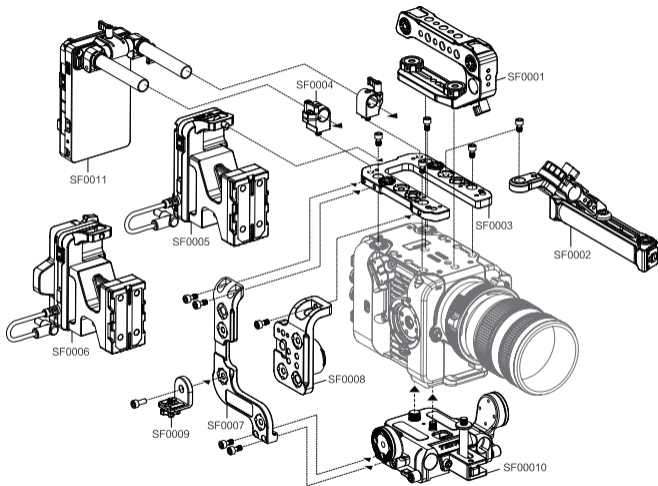


11 FOR SONY FX6

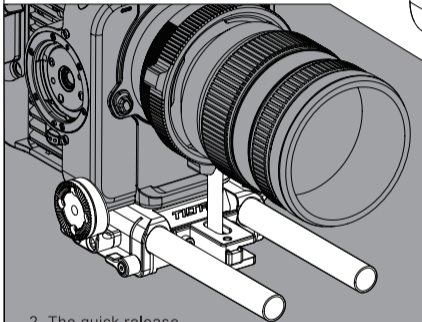
OVERVIEW

NO.	PRODUCT NAME	SKU
SF0001	Top Handle for Sony FX6	ES-T20-TH
SF0002	Adjustable Top Handle for Sony FX6	ES-T20-TH2
SF0003	Multi-Functional Top Plate for Sony FX6	ES-T20-MTP
SF0004	15mm Single Rod Holder for Sony FX6	ES-T20-SRH
SF0005	Battery Plate for Sony FX6 Type I - V-mount	ES-T20-BTP-V
SF0006	Battery Plate for Sony FX6 - Gold Mount	ES-T20-BTP-AB
SF0007	Side Arm for Sony FX6	ES-T20-SA
SF0008	Vertical Mounting Plate for Sony FX6	ES-T20-B
SF0009	Wireless Video Mounting Bracket for Sony FX6	ES-T20-WVM
SF0010	Quick Release Baseplate for Sony FX6	ES-T20-QRBP
SF0011	Battery Plate for Sony FX6 Type II - V-mount	ES-T20-BTP2-V



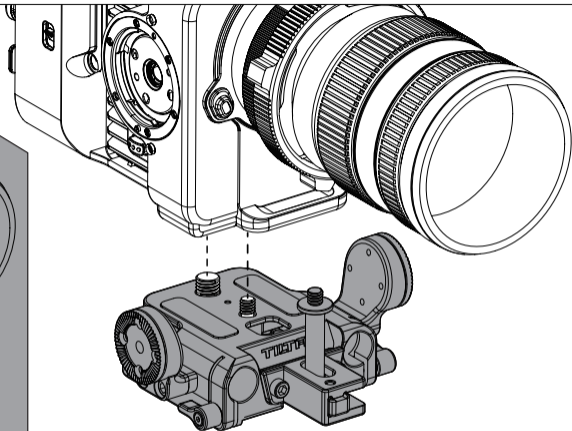
12

INSTALLING QUICK RELEASE BASEPLATE



2. The quick release baseplate has a built-in 15mm rod holder.

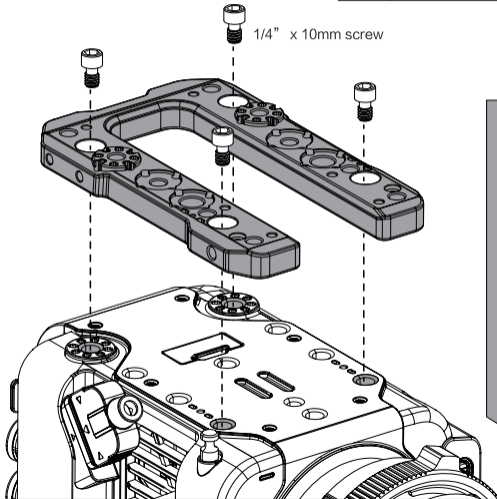
3. Lens support can be mounted to the front of the baseplate.



1. Install the quick release baseplate to the camera and tighten the tie down screws. (Please install the lens support if it's needed for your setup.)

13

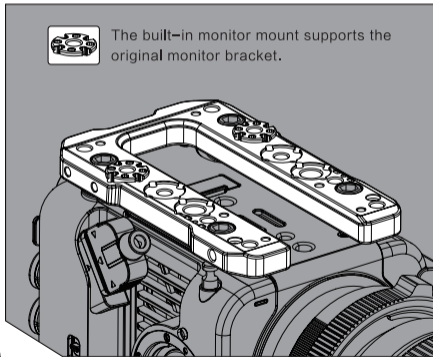
INSTALLING MULTI-FUNCTIONAL TOP PLATE



- ▶ Align the threaded screw holes, and install the multi-functional top plate.



The built-in monitor mount supports the original monitor bracket.



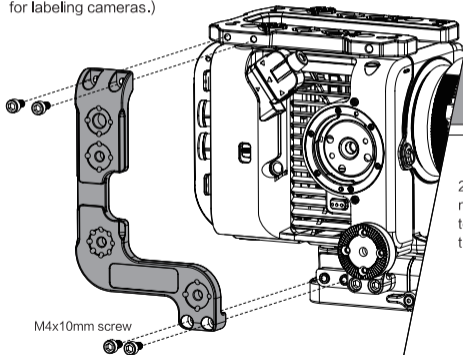
14

INSTALLING SIDE ARM & VERTICAL MOUNTING PLATE

► Installing the Side Arm

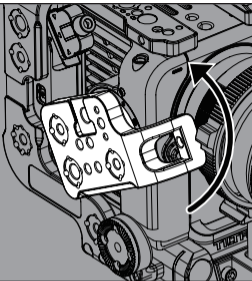
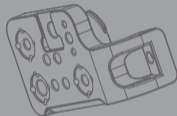
Align the screw holes on the side arm with the screw holes on the top plate and the quick release baseplate.

(The side arm has reserved space for side arm stickers for labeling cameras.)

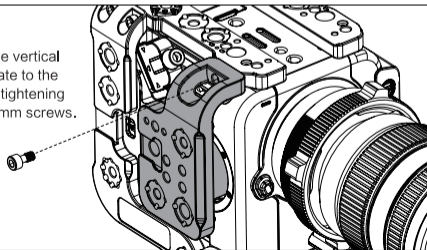


► Installing the Vertical Mounting Plate

1. Tilt the vertical mounting plate. Align the plate with the locating points on the side of the camera body. Rotate to lock into position.

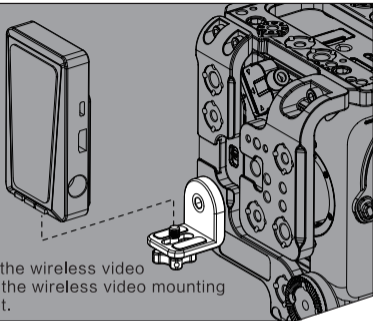


2. Secure the vertical mounting plate to the top plate by tightening the M5 x 16mm screws.



15

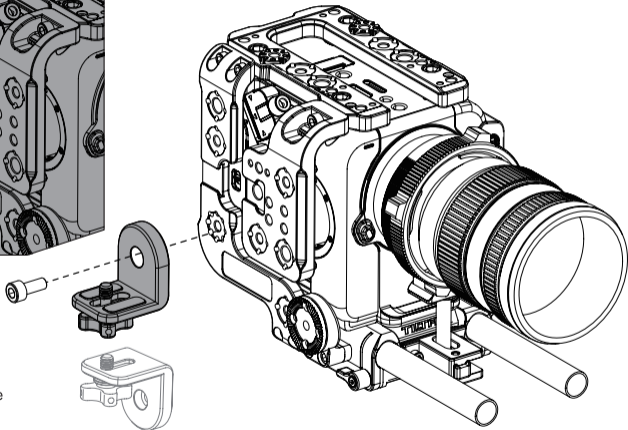
WIRELESS VIDEO MOUNTING BRACKET



Install the wireless video unit to the wireless video mounting bracket.

- ▶ Align the screw holes and install the wireless video mounting bracket to the 1/4" -20 threaded hole with locating points on the side arm.

(The wireless video mounting bracket can be turned 180° for your setup needs.)

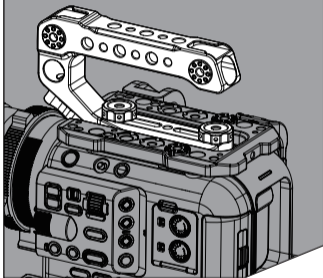


16

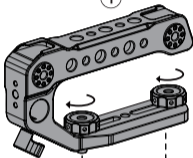
INSTALLING TOP HANDLE & ADJUSTABLE TOP HANDLE



The built-in monitor mount supports the original monitor bracket.



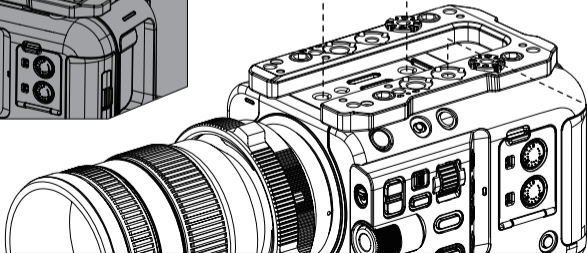
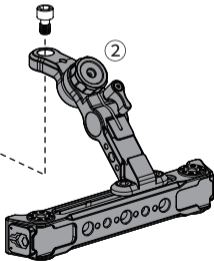
①



▶ Install the ① top handle. Tighten the tie downs on the top handle. (The top handle can be adjusted forward and backward.)

▶ Install the ② adjustable top handle. Secure the handle to the top plate by tightening the 1/4" -20 screw.

②

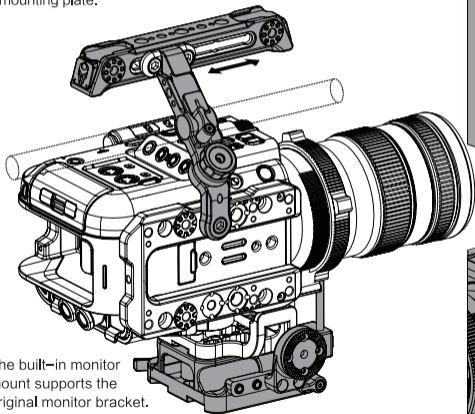


17

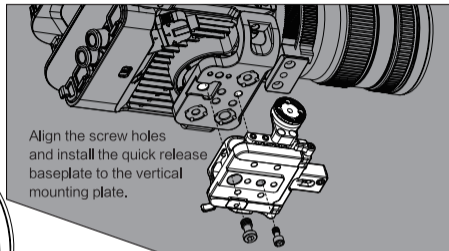
ADJUSTABLE TOP HANDLE & VERTICAL SHOOTING MODE

1. The adjustable top handle can be turned 180° to support vertical shooting mode. For better operating help finding the center of gravity, adjust the handle forward and backward.

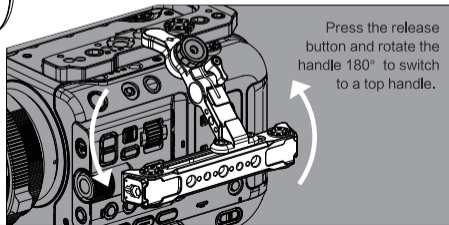
2. When shooting vertically, the quick release baseplate can be installed to the vertical mounting plate.



The built-in monitor mount supports the original monitor bracket.



Align the screw holes and install the quick release baseplate to the vertical mounting plate.

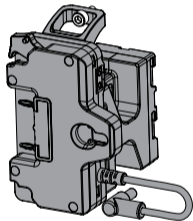


Press the release button and rotate the handle 180° to switch to a top handle.

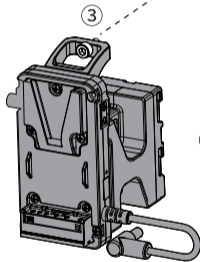
18

INSTALLING V-MOUNT & GOLD MOUNT BATTERY PLATE

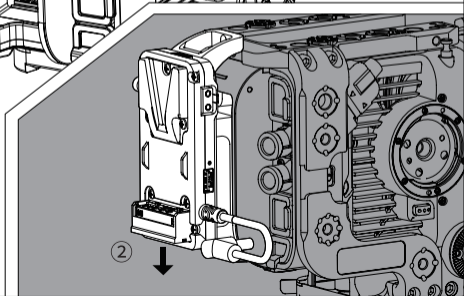
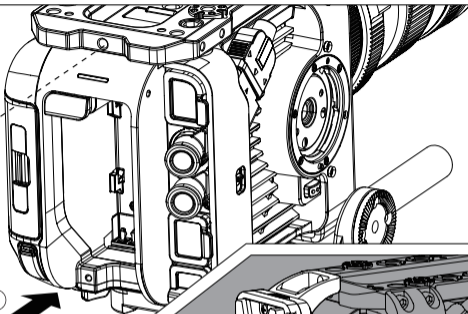
1. Align the battery plate with the battery chamber on the camera body.
2. Push down to lock into position.
3. Tighten the screw to complete the installation.

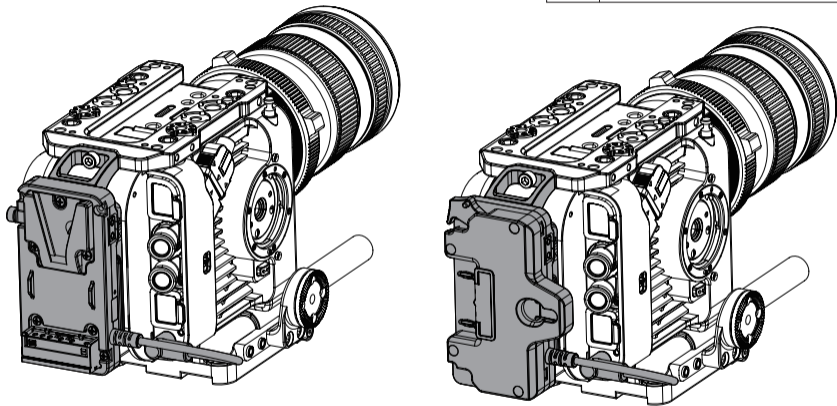


Gold Mount
Battery Plate



V-mount Battery
Plate - Type I

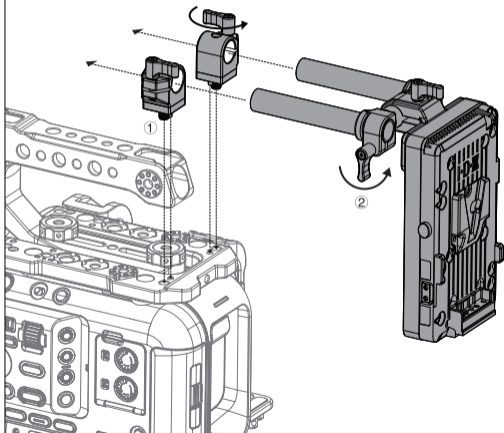




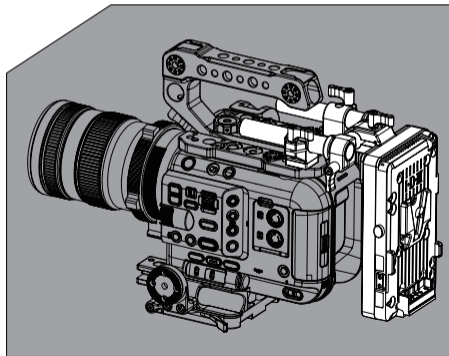
Connect the battery plate (V-mount or gold mount) and the camera via the power cable.

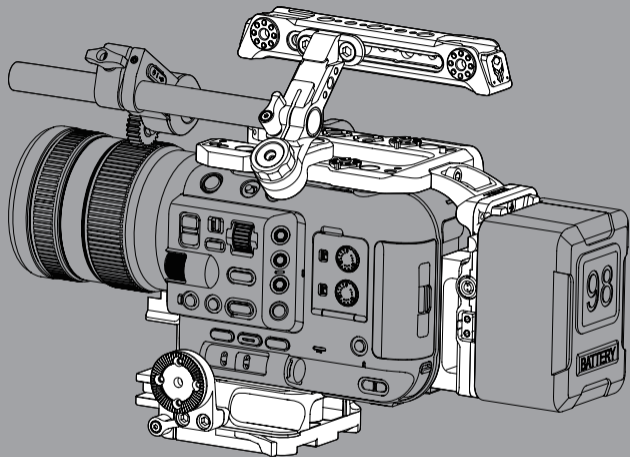
20

INSTALLING THE 15MM SINGLE ROD HOLDER & THE V-MOUNT BATTERY PLATE TYPE II



- ▶ Install the ① 15mm single rod holder. Tighten the tie downs on the rod holders to secure them to the camera.
- ▶ Install the ② V-mount battery plate type II. Insert the rods on the battery plate into the rod holders and tighten the tie down to complete the installation.





TILTA FOR SONY FX6